

TGM 13.280 15.280 4x4



Engine

MAN D0836, EURO 4 Standard.
Electronically controlled common rail fuel injection.
6-cylinder in-line engine, displacement 6871ccm.
Rating 280hp/206kW at 2400rpm.
Torque 1100Nm at 1200-1750rpm.
Man Exhaust Valve Brake (EVB).
Turbocharged and intercooled.
Electronically speed limited.
1-cyl. Compressor 238cc.
Clutch 395mm diameter.
Cruise Control.

Optional: Engine 240hp/176kW, 925Nm

Intake / Exhaust System

Dry element air cleaner with vertical intake behind cab.
Down swept exhaust (Euro 4 compliant).

Gearbox

Eaton gearbox FS 8309, 9 forward speeds, 1 reverse
Synchronesh gearbox. Ratios: 12.6-1.0.
Optional: ZF 12-AS1210 OD Automated Transmission.
Ratios: 10.33-0.81.
PTO opening at rear.

Front Axle / Front Springs / Front Axle Load

MAN VP-06 Hub Reduction axle with disc brakes.
Differential Lock fitted to front axle.
Parabolic Springs.
Axle rating: 6,300kg.

Rear Axle / Rear Springs / Rear Axle Load

MAN Hub Reduction axle with disc brakes.
Differential Lock fitted to rear axle.
HP 0728 with single tyres on 13t version.
HP 0928 with dual tyres on 15t version.
Electronically controlled air suspension (ECAS).
Axle ratio: 4.12 standard with 9 speed.
Axle ratio: 5.07 standard with 12 speed.
Axle rating: 7,800kg on 13t version.
Axle rating: 9,500kg on 15t version.
Axle ratios available: 4.12, 4.59, 5.07, 5.70, 6.48.

Transfer Case

MAN G102 2 speed Transfer Case.
Low Ratio 1.6.
High Ratio 0.98.

Optional: Constant All Wheel Drive

Rims

Steel disc wheels 8-hole 8.25-22.5 on 13t version.
295/80R 22.5 tyres on 13t version.
Steel disc wheels 8-hole 7.5-22.5 on 15t version.
11R 22.5 tyres on 15t version.
Spare wheel and tyre supplied.
Wheel changing tools supplied.

Fuel Tanks

Steel fuel tank 200ltr with water separator.
Optional: 200ltr alloy.
1 x 300ltr steel tank.

Frame

Ladder frame, parallel U-section chassis rail with tubular cross members rivetted and bolted.
Flat top chassis rails to facilitate body mounting.

Steering

Power steering, fully adjustable steering wheel with pneumatic locking.
Optional: Multi-function steering wheel.

Cab Exterior

Cab "C" (Day) 1620mm long, 2240mm wide.
Forward control, all steel with extensive anti-corrosion treatment and optimal noise and heat insulation.
Rear-view mirror(s) heated and electronically adjustable.
Entry lighting for driver and co-driver.
Safety tested to ECE-R29.
Laminated windscreen.
Door windows tinted.
Central locking.
Optional: Sleeper cab (L).
Sleeper cab with high roof (LX).
Crew cab with 4 doors (D).

Cab Interior

Air suspended driver's seat, fully adjustable.
Static co-driver's seat, fixed position.
Air-conditioner, CFC-free refrigerant R134A with climate control.
Electric windows.

Instruments

Electronic dash displaying vehicle messages and status reports in a full menu system.

Radio / Communication Systems

Radio MAN CD 24V with RDS function and CD player.

24 Volt Electrical System

Battery main switch, mechanical.
2 batteries 12V 88Ah.
Alternator 28V 80A 2240W.

Brake System

MAN electronic brake system (EBS).
Anti-lock braking system (ABS).
Disc brakes on front and rear axles.
BrakeMatic switch on dash to operate EVB with the brake pedal, when loaded.



Specification Data

GVM Max: 13,000kg • GCM Max: 20,000kg
 GVM Max: 15,000kg • GCM Max: 28,000kg

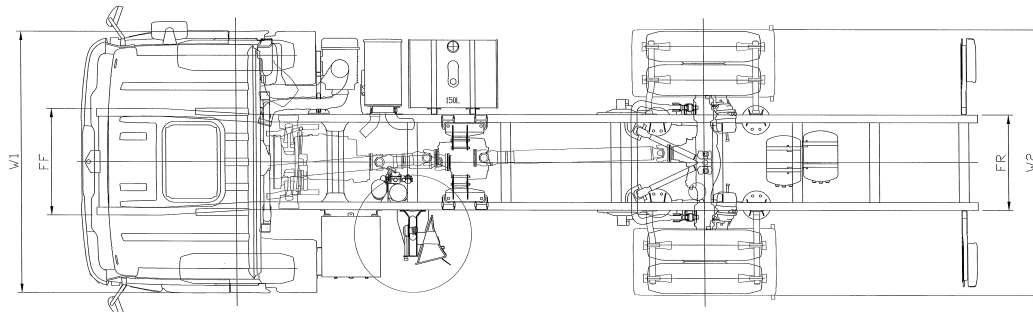
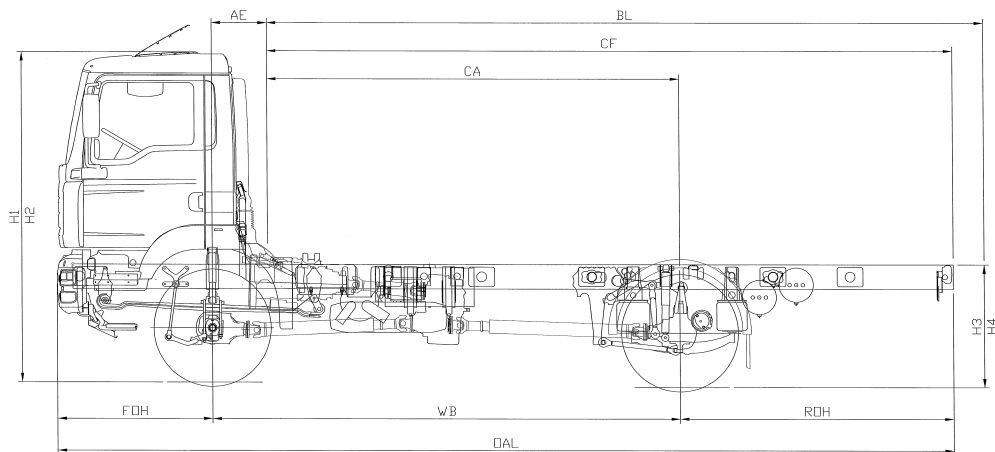
Weights kg:		Day Cab		
Model/Wheelbase (mm)		Front	Rear	Total
13.280 / 4250		3790	1795	5585
15.280 / 4250		3790	1995	5785
Weights kg:		Sleeper Cab		
Model/Wheelbase (mm)		Front	Rear	Total
13.280 / 4250		3960	1795	5755
15.280 / 4250		3960	1995	5955

Note: Cab/chassis weight calculated with spare tyre and wheel, toolkit and 100ltrs fuel.



Turning Circle - C Cab/L Cab	
Wheelbase	4250
(Kerb to Kerb m)	16.1

Dimensions (mm)								(Max)	Empty	Loaded	Empty	Loaded		
Day Cab (C Cab)	FOH	ROH	OAL	BBC	CA	CF	BL	W1	H1	H2	H3	H4	FF	FR
WB-4250	1400	2325	7975	1900	3750	6075	6300	2377	3087	3013	1132	1112	964	864
Sleeper Cab (L Cab)														
WB-4250	1400	2325	7975	2350	3300	5625	5850	2377	3087	3013	1132	1112	964	864



1. All above dimensions are subject to proper weight distribution.
2. State and Federal regulations over ride information supplied on this brochure.
3. Vehicle depicted in this specification sheet is for illustration purposes only.
4. Maximum BL (ROH) is calculated using 60% of WB or 3.7mt whichever is less (ensure sufficient chassis rail is available to comply with State regulations).
5. Specifications are subject to change without notice. Copyright © 2007, MAN Automotive Imports Pty Ltd.



MAN Automotive Imports Pty Ltd

72 Formation Street, Wacol, Qld 4076 • PO Box 415, Richlands DC Qld 4077

Telephone: 07 3271 7777 • Facsimile: 07 3271 2047 • www.man.com.au